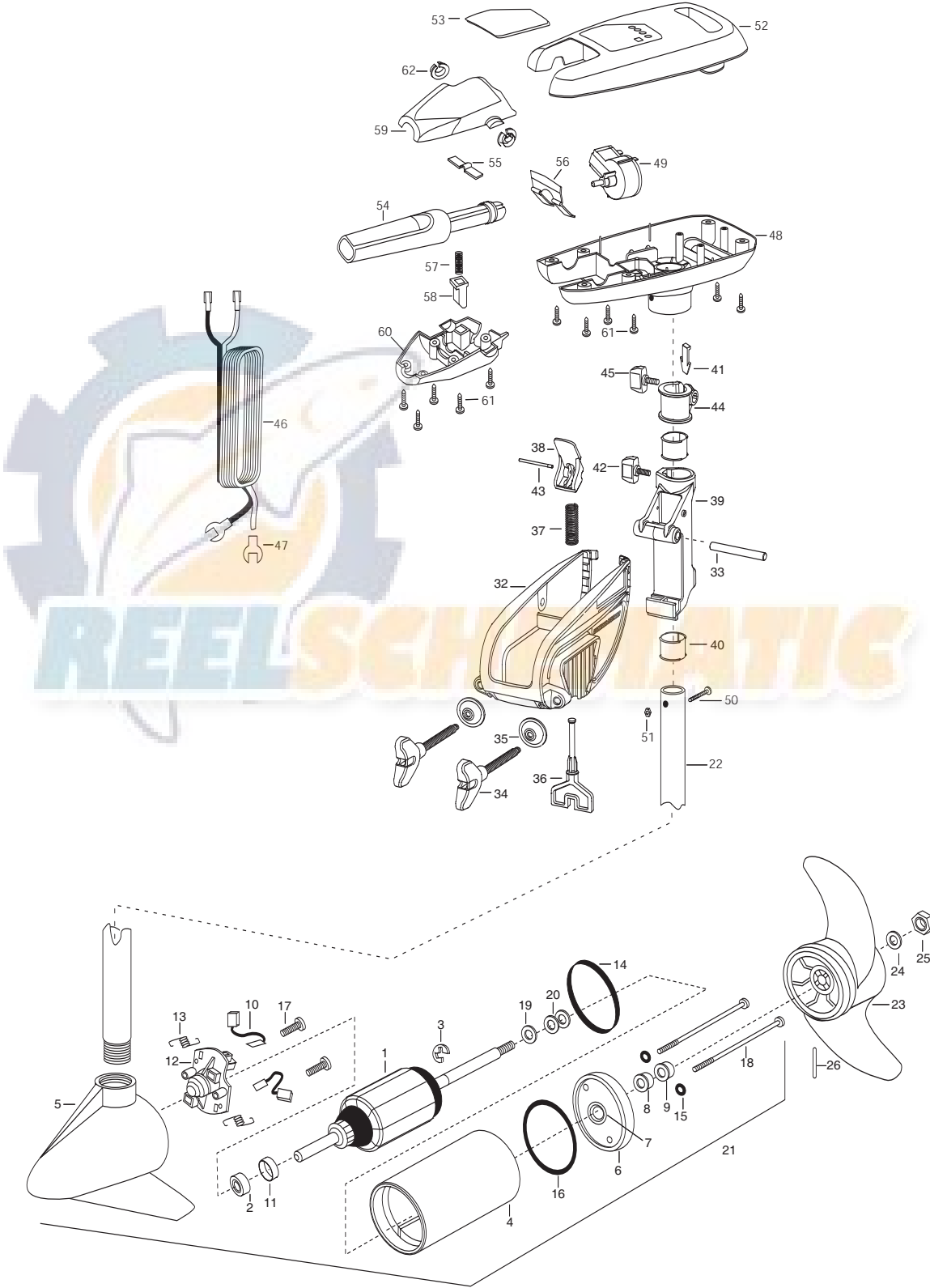


CAMO 55
55 lbs Thrust
12 Volt 50 Amps
36" Shaft

for use with "AH" serial numbers
2-year warranty from the date of purchase



1	2-100-115	ARMATURE ASSEMBLY 12V 3.625 FW	■	2881300	CLAMP SCREW, WASHER, RETAINER KIT
2	140-010	BEARING- BALL	36	2063605	T-BAR PLASTIC
3	788-015	RETAINING RING	37	2062706	SPRING- T-BAR ENDURA
4	2-200-101	CENTER HOUSING ASSEMBLY 3.625 FW TXT	38	2067201	LEVER- TILT BLACK ENDURA
5	2-300-196	BRUSH END HOUSING ASSEMBLY 3.625 SPCO 36"	39	2061810	HINGE-PLASTIC
6	2-400-101	PLAIN END HOUSING ASSEMBLY 3.625	40	2037301	BUSHING-HINGE [2.EA]
7	144-049	BEARING- FLANGE ,SERVICE ONLY	41	2062800	TENSION BLOCK- SNAP IN
8	880-003	SEAL	42	2011385	SCREW-TENSION/NEW KNOB
9	880-006	SEAL WITH SHIELD	43	2060515	PIN- TILT LEVER
10	188-036	BRUSH ASSEMBLY 3.625 [2.EA]	44	2061520	COLLAR-DEPTH ((ENDURA)
11	725-050	BRUSH RETENTION- PAPER TUBE	45	2011365	SCREW-COLLAR/NEW KNOB
12	738-036	BRUSH PLATE WITH HOLDER	46	2050609	LEADWIRE 10 GA SPADE TERM
13	975-040	SPRING- TORSION [2.EA]	47	2020702	TERMINAL SPADE 10GA [2. EA]
14	337-036	GASKET	48	2067706	CONTROL BOX CAMO W/HAND 5SPD
15	701-008	O-RING [2.EA]	49	2064023	SWITCH-FWD/REV 5SPD
16	701-081	O-RING	50	2033400	SCREW-10-24 K 1-3/4
17	830-007	#8-32 SCREW [2.EA]	51	2013110	NUT-10-24 HEX
18	830-042	THRU BOLT 10-32X8.83 [2EA]	52	2060284	CONTROL BOX COVER-(CAMO)
19	990-067	WASHER- STEEL THRUST	53	2035621	DECAL-COVER, 55XL CAMO
20	990-070	WASHER- NYLATRON [2.EA]	54	2990918	HANDLE ASSEMBLY-W/U-JOINT 5SPD
21	2097092	MOTOR ASSEMBLY 12V 3.625 5SPC FW 36"	55	2302742	SPRING-DETENT OFF (SS)
22	2067711	TUBE (COMP)W/CS K HOLE 36" CAMO DIPPED	56	2302743	SPRING-DETENT HANDLE-TILT
■	1378131	PROPELLER KIT	57	2302745	SPRING-RELEASE BUTTON (SS)
23	2091160	PROPELLER W/WEDGE	58	2303720	RELEASE BUTTON-HANDLE
24	2151726	WASHER-PROP (MEDIUM)	59	2067708	HANDLE (TOP HALF) CAMO
25	2053101	NUT-PROP NYLOC	60	2067707	HANDLE (LOWER HALF) CAMO
26	2092600	PIN-DRIVE (SS)	61	2303412	SCREW-6-20 x 5/8 SELF TAP [11 EA]
■	2771810	BRACKET & HINGE ASSEMBLY	62	2060005	BEARING-HANDLE PIVOT [2. EA]
■	2771910	BRACKET W/CLAMP SCREW ASSEMBLY (INCL.32,34,35)			
*32	2061910	BRACKET PLASTIC			
33	2060510	PIN-HINGE- ENDURA			
*34	2061300	SCREW- CLAMP [2.EA]			
*35	2011710	WASHER- CLAMP SCREW 1.5OD [2.EA]			

